

Ganci a C

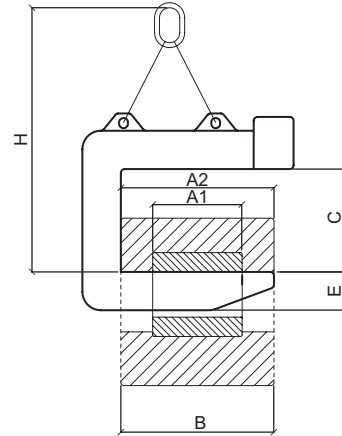
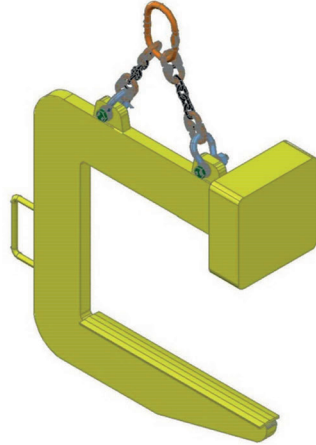
C hooks

GANCI A C PER MOVIMENTAZIONE COILS

C HOOKS FOR COILS

TIPO FL FL TYPE

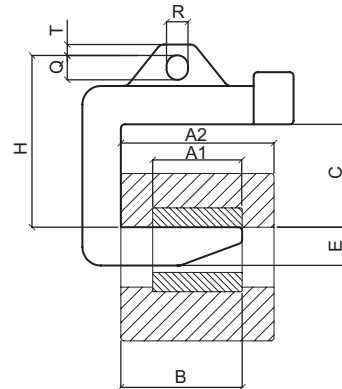
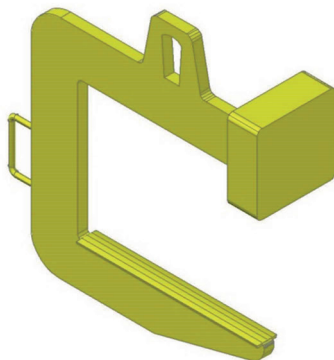
- Versione con tirante (a fune o catena).
- With upper slings (wire rope or chain).



Tipo Type	Portata WLL kg	Dimensioni Dimensions						Peso Weight Kg
		A1 ÷ A2 mm	B mm	C mm	D mm	E mm	H mm	
FL 50	5000	500 ÷ 1000	1000	550	80	180	2000	200
FL 80	8000	500 ÷ 1000	1000	600	80	220	2150	280
FL 100	10000	625 ÷ 1250	1250	650	90	260	2500	470
FL 160	16000	750 ÷ 1500	1500	700	100	310	2900	860
FL 200	20000	750 ÷ 1500	1500	750	110	340	3050	1080
FL 250	25000	850 ÷ 1750	1750	800	120	370	3400	1350

TIPO FC FC TYPE

- Versione con attacco centrale
- Centre lifting connection



Tipo Type	Portata WLL kg	Dimensioni Dimensions										Peso Weight Kg
		A1 ÷ A2 mm	B mm	C mm	D mm	E mm	H mm	Q mm	R mm	S mm	T mm	
FC 50	5000	500 ÷ 1000	750	550	80	180	910	180	90	25	40	215
FC 80	8000	500 ÷ 1000	750	600	80	220	1040	220	100	30	50	300
FC 100	10000	625 ÷ 1250	950	650	90	260	1170	260	120	35	60	650
FC 160	16000	750 ÷ 1500	1150	700	100	310	1310	300	140	40	70	950
FC 200	20000	750 ÷ 1500	1200	750	110	340	1440	350	160	50	80	1350
FC 250	25000	850 ÷ 1750	1350	800	120	370	1570	400	180	60	90	1650