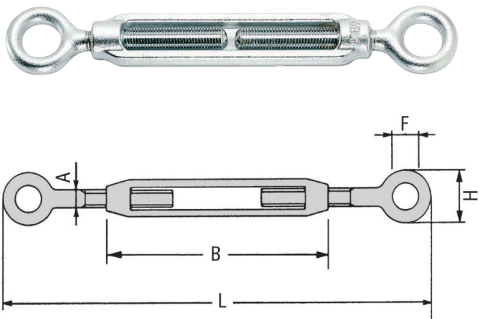


Tipo OCCHIO-OCCHIO

EYE-EYE type



Codice Code	Misura Size		Forza limite di lavoro WFL Kg	Dimensioni Dimensions					Peso Weight g
	A	A "		B mm	F mm	H mm	L min mm	L max mm	
ATENOC05	M5	3/16	115	80	8	16	118	175	48
ATENOC06	M6	1/4	160	80	10	20	130	193	62
ATENOC08	M8	5/16	300	105	11	22	158	240	109
ATENOC10	M10	3/8	470	125	14	27	192	289	194
ATENOC12	M12	1/2	690	140	17	33	226	332	325
ATENOC14	M14	9/16	940	170	18	35	256	386	520
ATENOC16	M16	5/8	1290	190	23	46	290	435	790
ATENOC18	M18	11/16	1660	205	28	59	358	512	1260
ATENOC20	M20	3/4	2130	220	28	59	358	522	1530
ATENOC22	M22	7/8	2630	240	34	70	400	579	2220
ATENOC24	M24	1	3060	260	36	76	436	628	2740
ATENOC27	M27	1 1/8	4000	270	38	82	474	668	4570
ATENOC30	M30	1 3/16	4860	280	40	86	498	694	5250
ATENOC33	M33	1 1/4	6040	290	41	89	516	732	5880
ATENOC36	M36	1 3/8	6500	300	43	95	532	740	7220
ATENOC39	M39	1 1/2	7900	300	45	102	544	743	8550

- Finitura: zincatura elettrolitica.
- Coefficiente di sicurezza 4.
- Finish: electrolytic galvanized.
- Safety factor 4.

Non idonei per sollevamento.
Not suitable for lifting purposes.