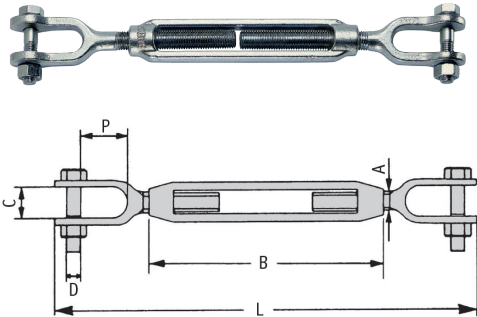


Tipo FORCELLA-FORCELLA

JAW-JAW type



Codice Code	Misura Size		Forza limite di lavoro WFL Kg	Dimensioni Dimensions						Peso Weight g
	A	A''		B mm	C mm	D	P mm	L min mm	L max mm	
ATENFF08	M8	5/16	300	105	10	M6	22	192	274	175
ATENFF10	M10	3/8	470	125	12	M8	26	234	331	310
ATENFF12	M12	1/2	690	140	16	M10	33	274	380	545
ATENFF14	M14	9/16	940	170	20	M12	38	342	472	970
ATENFF16	M16	5/8	1290	190	20	M12	38	372	517	1140
ATENFF18	M18	1 1/16	1660	205	24	M16	42	406	560	1800
ATENFF20	M20	3/4	2130	220	24	M16	42	406	570	2070
ATENFF22	M22	7/8	2630	240	28	M20	46	466	645	3140
ATENFF24	M24	1	3060	260	28	M20	46	486	678	3440
ATENFF27	M27	1 1/8	4000	270	32	M22	51	510	704	5550
ATENFF30	M30	1 3/16	4860	280	36	M24	58	566	762	7310

- Finitura: zincatura elettrolitica.
- Coefficiente di sicurezza 4.
- Finish: electrolytic galvanized.
- Safety factor 4.

Non idonei per sollevamento.
Not suitable for lifting purposes.