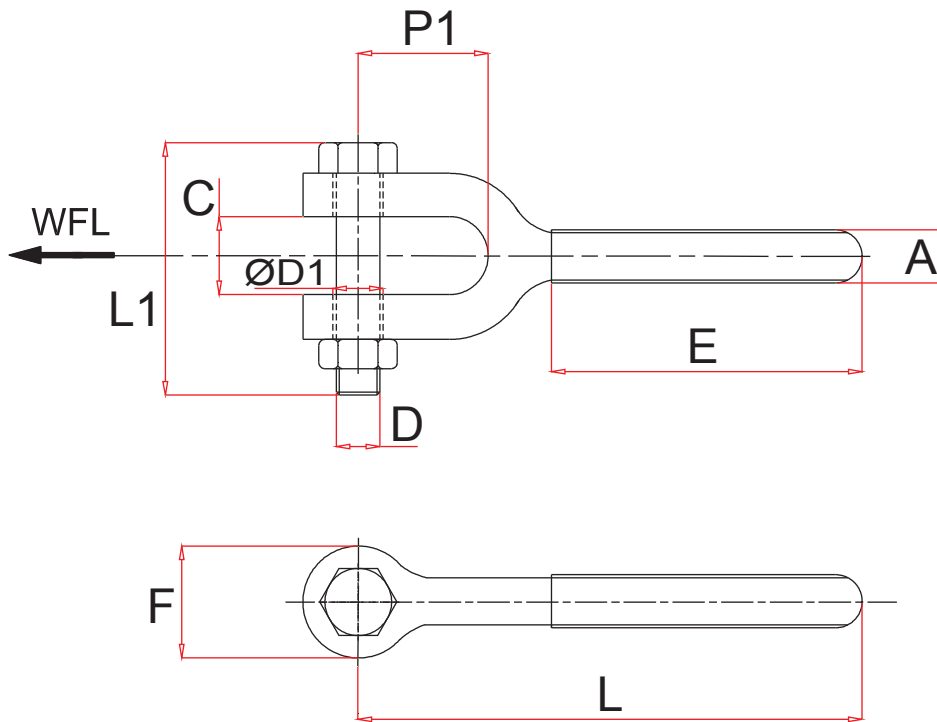


FORCELLE

JAWS

- Acciaio S235JR
- Vite acciaio classe 4,6
- Finitura: zincatura
- Coefficiente di sicurezza 4
- S235JR Steel
- Screw 4,6 class steel
- Finish: galvanized
- Safety factor 4

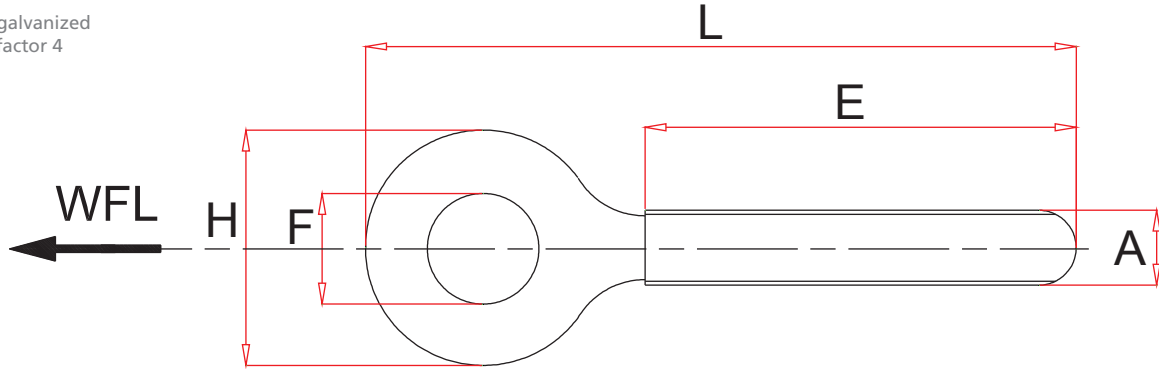


Codice Code	Dimensioni Dimensions										Forza limite lavoro WFL	Fune Wire rope	Peso Weight
	A mm	A inch	C mm	D	Ø D1 mm	E mm	F mm	P1 mm	L mm	L1 mm	kg	Ø min mm	g
AFORC08	M8	5/16	10	M6	6.5	53	18	25	87	34	300	3.5	60
AFORC10	M10	3/8	12	M8	8.5	63	20	30	107	40.5	470	4.0	110
AFORC12	M12	1/2	16	M10	10.5	70	24	38	125	52	690	4.0	200
AFORC14	M14	9/16	20	M12	12.5	85	32	44	155	63	940	6.0	360
AFORC16	M16	5/8	20	M12	12.5	95	32	44	170	63	1290	6.0	400
AFORC18	M18	11/16	24	M16	16.5	103	38	50	184	75	1660	7.0	670
AFORC20	M20	3/4	24	M16	16.5	110	38	50	184	75	2130	7.0	710
AFORC22	M22	7/8	28	M20	20.5	120	46	56	210	88	2630	10.0	1130
AFORC24	M24	1"	28	M20	20.5	130	46	56	220	88	3060	10.0	1200
AFORC27	M27	1" 1/8	32	M22	22.5	135	54	62	228	99	4000	11.0	1800
AFORC30	M30	1" 3/16	36	M24	25.5	140	62	70	252	110	4860	12.0	2430

OCCHI

EYES

- Acciaio
- Finitura: zincatura
- Coefficiente di sicurezza 4
- Steel
- Finish: galvanized
- Safety factor 4

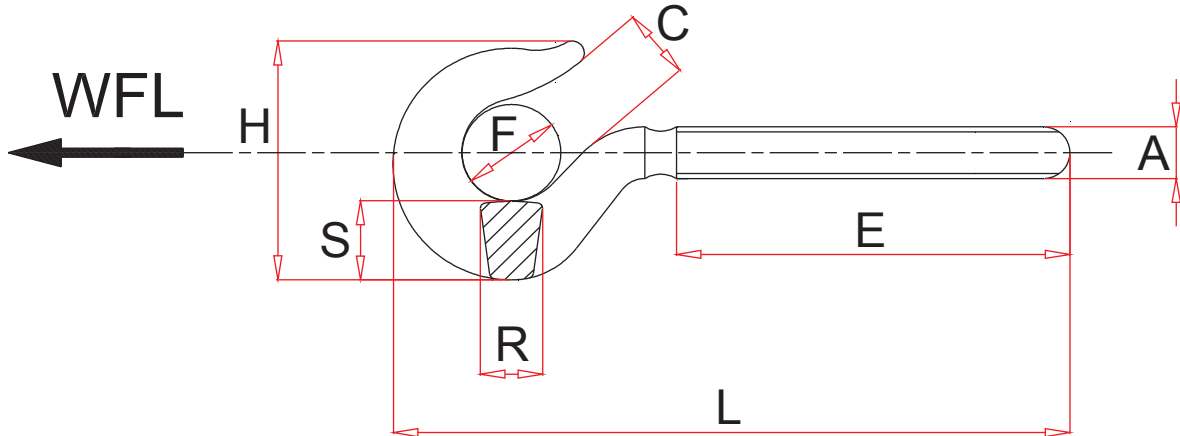


Codice Code	Dimensioni Dimensions						Forza limite lavoro WFL kg	Fune Wire rope Ø min mm	Peso Weight g
	A mm	A inch	E mm	F	H mm	L mm			
AOCCH05	M5 x 0.8	3/16	40	8	16	61	115	2.0	8
AOCCH06	M6 x 1	1/4	40	10	20	65	160	2.5	15
AOCCH08	M8 x 1.25	5/16	52	11	22	79	300	2.5	27
AOCCH10	M10 x 1.5	3/8	60	14	27	96	470	3.5	52
AOCCH12	M12 x 1.75	1/2	72	17	33	113	690	4.0	90
AOCCH14	M14 x 2	9/16	85	18	36	129	940	4.0	145
AOCCH16	M16 x 2	5/8	95	25	49	153	1290	6.0	235
AOCCH18	M18 x 2.5	11/16	103	28	59	179	1660	7.0	400
AOCCH20	M20 x 2.5	3/4	110	28	59	179	2130	7.5	440
AOCCH22	M22 x 2.5	7/8	120	34	70	200	2630	9.0	660
AOCCH24	M24 x 3	1"	130	36	76	218	3060	10.0	850
AOCCH27	M27 x 3	1" 1/8	135	38	82	237	4000	11.0	1200
AOCCH30	M30 x 3.5	1" 3/16	140	40	86	249	4860	11.5	1400
AOCCH33	M33 x 3.5	1" 1/4	150	41	89	258	6040	12.0	1600
AOCCH36	M36 x 4	1" 3/8	150	43	95	266	6500	13.0	2000
AOCCH39	M39 x 4	1" 1/2	150	45	102	272	7900	14.0	2300

GANCI

HOOKS

- Acciaio
- Finitura: zincatura
- Coefficiente di sicurezza 4
- Steel
- Finish: galvanized
- Safety factor 4



Codice Code	Dimensioni Dimensions									Forza limite lavoro WFL kg	Fune Wire rope Ø min mm	Peso Weight g
	A mm	A inch	C mm	E mm	F mm	H mm	L mm	R mm	S mm			
AGANC05	M5	3/16	6.0	40	7.5	17	62	4.0	4.5	25	2.0	9
AGANC06	M6	1/4	8.0	40	9.5	22	67	4.5	5.5	45	2.5	14
AGANC08	M8	5/16	10.0	52	11.0	30	90	5.5	8.0	95	2.5	33
AGANC10	M10	3/8	12.5	60	14.0	36	103	7.5	10.0	140	3.5	60
AGANC12	M12	1/2	17.5	70	23.0	56	131	12.0	18.5	300	4.0	165
AGANC14	M14	9/16	21.0	85	27.0	66	156	14.5	21.5	420	4.0	265
AGANC16	M16	5/8	24.0	95	31.0	77	177	16.5	25.0	570	6.0	430
AGANC18	M18	11/16	27.0	103	35.0	85	194	18.5	27.5	700	7.0	530
AGANC20	M20	3/4	30.0	110	39.0	95	212	20.5	31.0	900	7.5	750
AGANC22	M22	7/8	34.0	120	43.0	106	233	23.0	34.5	1100	9.0	970
AGANC24	M24	1"	36.0	130	47.0	114	252	25.0	37.5	1300	10.0	1560
AGANC27	M27	1 1/8"	38.0	135	42.0	123	266	28.0	46.0	2300	11.0	1840